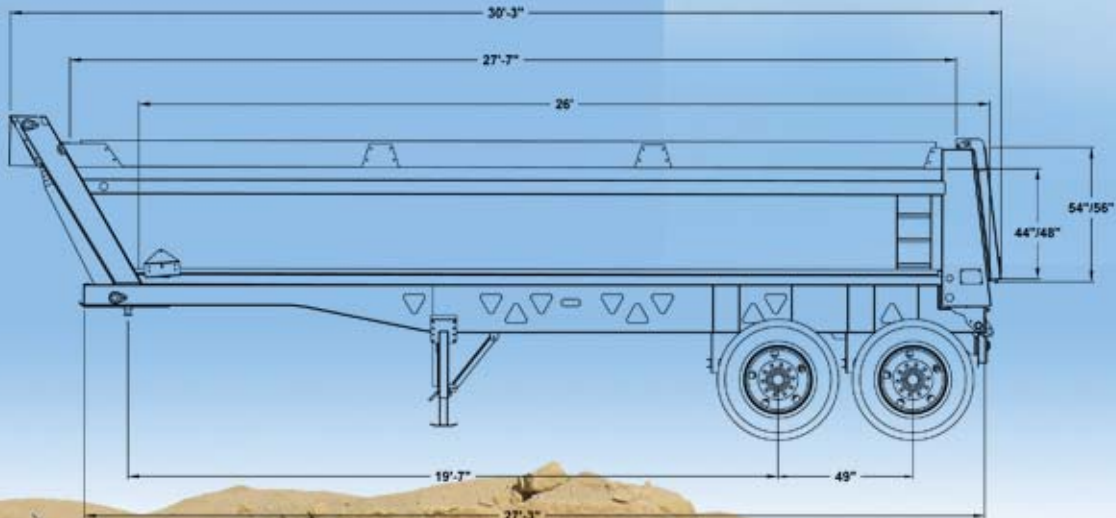




# SL2000

## END DUMP



MIDLAND...ALWAYS YOUR BETTER INVESTMENT

# SL2000 END DUMP

BETTER PAYLOAD  
INDUSTRY LEADING DESIGN  
STRUCTURAL INTEGRITY



Easy Access Ladder



Dual Action Gate Latch System  
(Service Free and Self Adjusting)



Aluminum Fender Option



Rear Gate with High Visibility Lighting



## STANDARD FEATURES

### BODY

Front Height: 56"  
Side Height: 44"  
Gate Height: 54"  
Body Material: 3/16" AR200

### CHASSIS

Frame Rails: 20" depth  
I Beam config. w/100,000 psi Flanges  
King Pin: setting 16", 3/8" plate  
Hinge: Unique heavy duty design  
Greaseless bushings

### HOIST

85-402-250 Telescopic Hoist

### SUSPENSION

Intraax AAT 25K

### AXLES

22,500 lbs  
- Track width 77"  
- Unimount Hubs

### BRAKES

ABS 2S1M - one axle system  
Auto Slacks

### LIGHTING

Truck Lite Harness, common internal ground

### FENDERS

Flat Aluminum Front Fenders  
Poly 1/2 Round Rear Fenders

### PAINT

Endura (high performance industrial coating)  
Accent Striping, double 1" tape

### TIRES

General 11R22.5

### WHEELS

Steel, Unimount

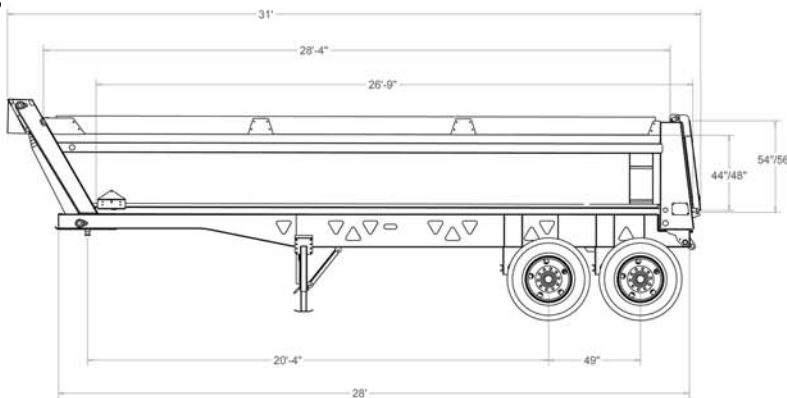
## OPTIONS

48" Side Height 56" Gate  
Aluminum Fenders  
ABS 4S2M/6S3M  
Sealed Gate w/2 Tailgate Tighteners  
Valving in Aluminum Box  
Two Speed Landing Gear  
Pressure Relief Valve  
Boards/Extensions  
Flap Packages  
Ashalt Lip  
Various Tires/Wheels  
Tarp Systems  
100% Conspicuity Tape  
25,000 lb Axles  
Hyva 8-5-243 Hoist  
High Lift Gate (air operated)

### BODY OPTIONS

1/8" Hardox 450  
3/16" Hardox 450  
1/4" Hardox 450

Heavy Duty Greaseless Hinge



We also manufacture  
**SIDE DUMPS / BOTTOM DUMPS**  
**PUP TRAILERS / WAGONS**

The information, illustrations and specifications provided in this brochure are based on our latest product information at time of publication. To ensure continuous product improvements, Midland Manufacturing reserves the right to make changes at any time to products described and/or illustrated herein without notice or liability.



Box 249 - 36 Main Street (PR #205)  
Rosenort, Manitoba CANADA  
R0G 1W0

Phone 204.746.2348  
Fax 204.746.2286

www.midlandtrailers.com

Sold by: