

TANDEM



DIMENSIONS

LENGTH	40' Standard	KING PIN	24" Standard
EXTERIOR WIDTH	102" Standard; 96" Optional	OVERALL HEIGHT	131" w/ 72" Wall, 135" w/ 76" Wall
INTERIOR WIDTH	98" Standard; 92" Optional	SLOPES	Minimum 30°
WALL HEIGHT	72" Standard; 76" Optional		

TRI-AXLE



DIMENSIONS

LENGTH	45'6", 48', 50'	KING PIN	15"
EXTERIOR WIDTH	102"	OVERALL HEIGHT	142" w/ 82" Wall, 144" w/ 84" Wall
INTERIOR WIDTH	98"	SLOPES	Minimum 30°
WALL HEIGHT	82" Standard, 84" Optional		

SUPER-B



DIMENSIONS

LENGTH	Lead 28'6", Pull 30'5"	KING PIN	Lead 30" Standard, 24" Optional; Pull: 18" Standard
EXTERIOR WIDTH	102"	OVERALL HEIGHT	144" w/ 82" Wall, 146" w/ 84" Wall
INTERIOR WIDTH	98"	SLOPES	30° except 43° at Rear of Lead
WALL HEIGHT	82" Standard, 84" Optional		

BODY STRUCTURE

DISTINCTION

COUPLER	Holland 5th Wheel Standard; Other Options Available
FRONT & REAR WALLS	Double Wall Construction, 1/16" Pre-Painted Aluminum Outside Skin, White or Black Colour Options c/w Access Ladders and Catwalk; Radius Corners; Other Options Available
HOPPER CHUTES	Standard Opening Size - 24" Long x 16" Wide; Stainless Chute Shafts; Roadside Opener Standard; 22 7/8" Clearance (w/ 11Rx24.5 Rubber); Other Options Available
HOPPERS	Two Hoppers per Trailer; Center Divider Wall; Two-Piece Hopper Design; Two Rows of Stiffeners On All Sides; Chute Frames Bolted to Bottom
LANDING GEAR	Jost Magnum Aluminum Landing Gear c/w 10" Cushion Foot; 10 Year Warranty
LIGHTING	Seven Wire Connector at Front; Truck-Lite LED Lighting Standard; Lifetime Warranty Lamps; Truck-Lite Wiring Harness; Other Options Available
MUD FLAPS	1/2" Rubber Anti-Sail Rear Flaps Standard; Other Options Available
PAINT	Applies to Steel Upper Coupler and Suspension Frame; Three-Stage Paint Process Consisting of a Coating of Zinc, Urethane Primer and Top Coat (applicable to steel sub-assemblies)
SIDE WALLS	Double Wall Construction, 1/16" Pre-Painted Aluminum Outside Skin, White or Black Colour Options; Inside Finished; Walls Vented; Other Options Available
SLOPES	Aluminum Slope Sheets - No Less than 30°
TARPS & TARP SUPPORTS	Michel's Roll Tarp, Reinforced over Roof Bows; Fiberglass Ridge Pole; Aluminum Roof Bows; Aluminum End Caps; Remote Openers; Other Options Available

RUNNING GEAR

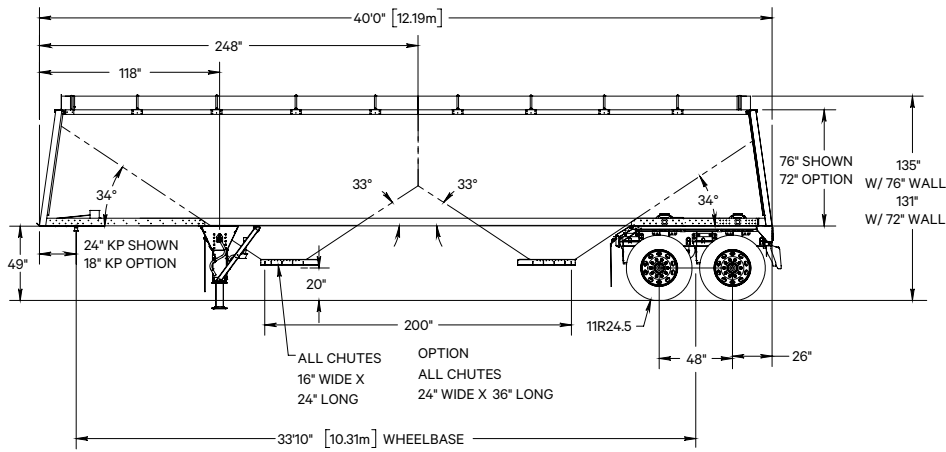
AXLES	Hendrickson INTRAAX 5/16" Wall, 5 3/4" Round, 77 1/2" Track, HN Spindle; Other Options Available
BRAKE SYSTEM	Air Drum Brake Standard; HXS-H23 Extended Service Linings Standard; Haldex 30/30 Gold Seal; Haldex S-ABA Slack 5.5"; 28 Spline Standard; Meritor Wabco ABS Equipped; Other Options Available
FENDERS	Lode King Checkered Aluminum Flat Fenders; Other Options Available
HUBS	10 Stud HP Cast Hub/Cast Drum Standard; Other Options Available
SUSPENSION	Hendrickson INTRAAX AANT23K LDA Air Ride Standard; Air Gauge Mounted in an Aluminum Box c/w Window and Light. Other Options Available.
TIRES	Michelin/BF Goodrich Standard; Other Options Available
WHEEL SEALS	National
WHEELS	22.5" Standard; Other Options Available

—
REFINED PERFORMANCE.

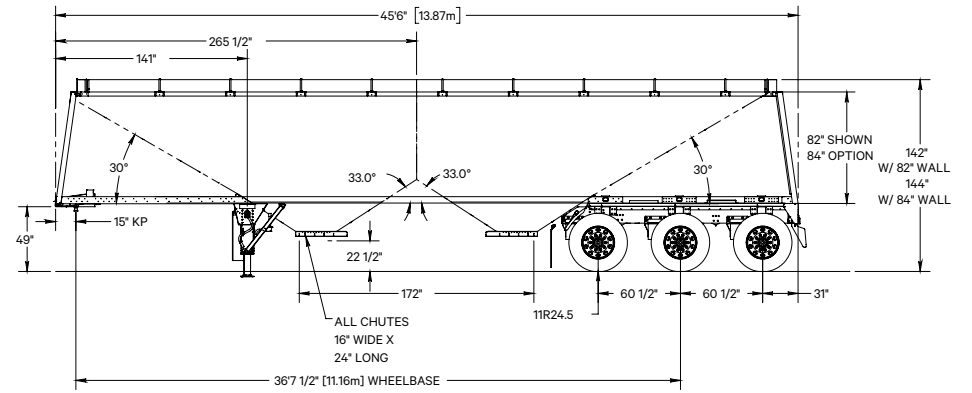
DISTINCTION



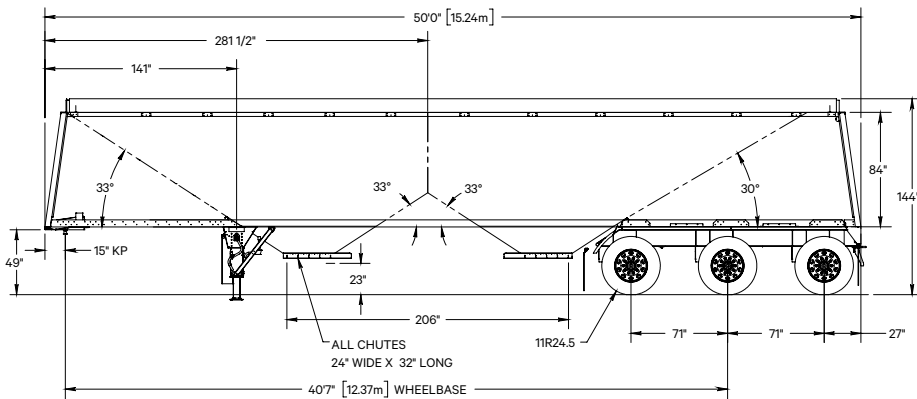
40' TANDEM



45'6" TRI-AXLE



50' TRI-AXLE



SUPER-B

