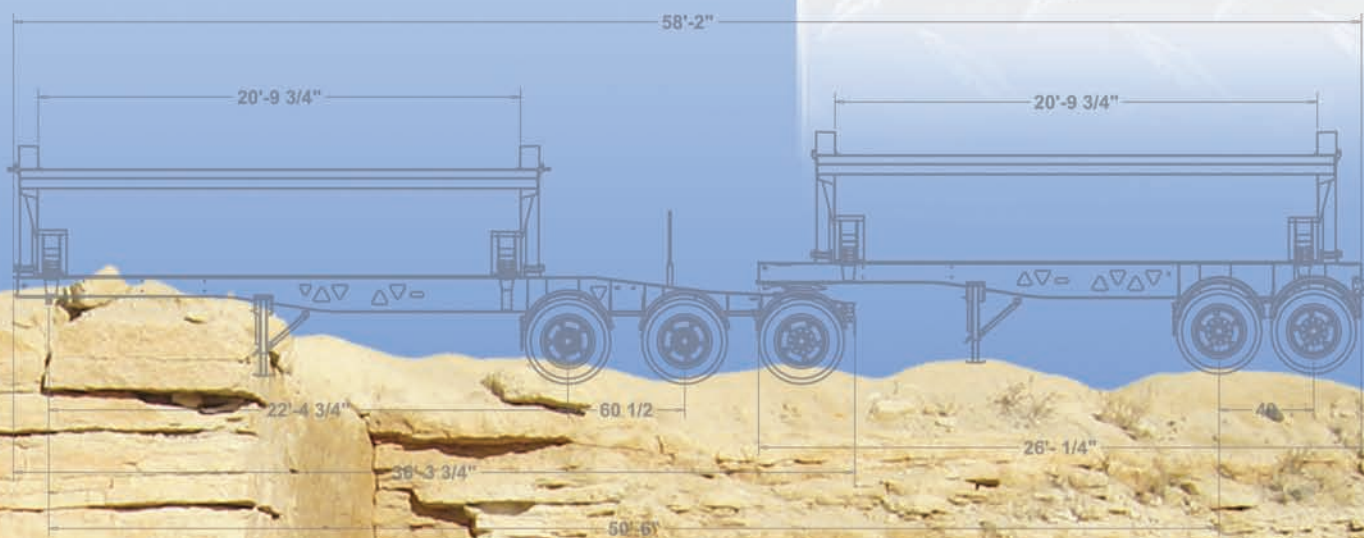


# Midland

# TW3500 TW2000 SIDE DUMP TRAIN



MIDLAND...ALWAYS YOUR BETTER INVESTMENT



# TW3500 TW2000 SIDE DUMP TRAIN

BETTER PAYLOAD  
INDUSTRY LEADING DESIGN  
STRUCTURAL INTEGRITY



## STANDARD FEATURES

### BODY

Side Height: 55"  
Front/Rear: 3/16" AR200  
Floor/Body: 3/16" AR200

### CHASSIS

Frame Rail Depths: 18"  
King Pin Setting: 30"  
Track Width: 77"  
Fenders: Rear-Galvanized Round  
Front-Flat Aluminum  
Hinges: Composite Bushings (Greaseless)  
Sliding 5th Wheel

### HYDRAULICS

6" Double Acting Cylinders (Two Way Tipping Body)

### SUSPENSION

Reyco 21B - 8 Leaf (49" Spread)

### AXLES

22,500 lbs

### BRAKES

Auto Slacks  
Haldex ABS (2S1M)

### LIGHTING

Truck Lite Harness, common internal ground

### PAINT

Endura (high performance industrial coating)  
Accent Striping, double 1" tape

### TIRES

General 11R22.5

### WHEELS

Steel, Unimount

## OPTIONS

Haldex ABS 4S2M / 6S3M  
Holland Two Speed Landing Gear  
Black Plastic Fenders  
LED Lighting  
Ridewell "Air Ride" Suspension  
Turner HT 230/300 Suspension  
Flap Packages  
Various Tires/Wheels  
Michel's Tarp System (Electric/Manual)  
100% Conspicuity Tape  
Lift Axles

### BODY OPTIONS

1/8" Hardox 450  
3/16" Hardox 450  
1/4" Hardox 450

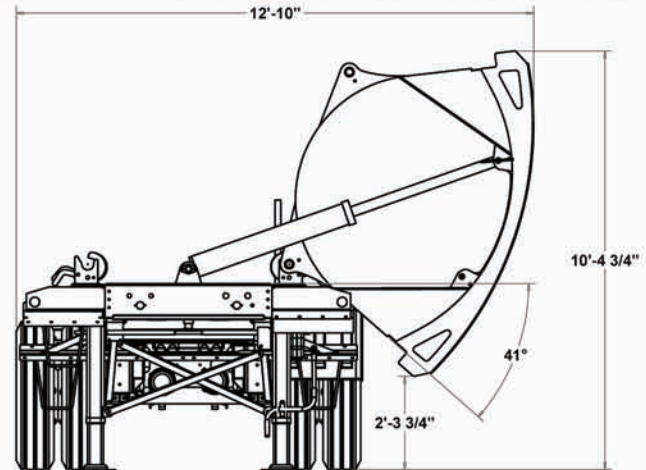
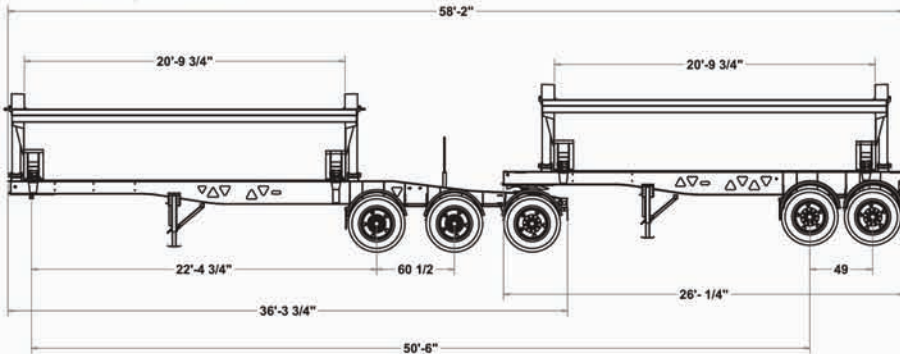
Secure Manual Latch System with  
Composite (Greaseless) Bushings



Electric Tarp Option



Two-way Cylinder Mounting



We also manufacture  
**END DUMPS / BOTTOM DUMPS  
PUP TRAILERS / WAGONS**

The information, illustrations and specifications provided in this brochure are based on our latest product information at time of publication. To ensure continuous product improvements, Midland Manufacturing reserves the right to make changes at any time to products described and/or illustrated herein without notice or liability.



Box 249 - 36 Main Street  
Rosenort, Manitoba Canada  
R0G 1W0

Phone 204.746.2348  
Fax 204.746.2286

www.midland-trailers.com

Sold by: