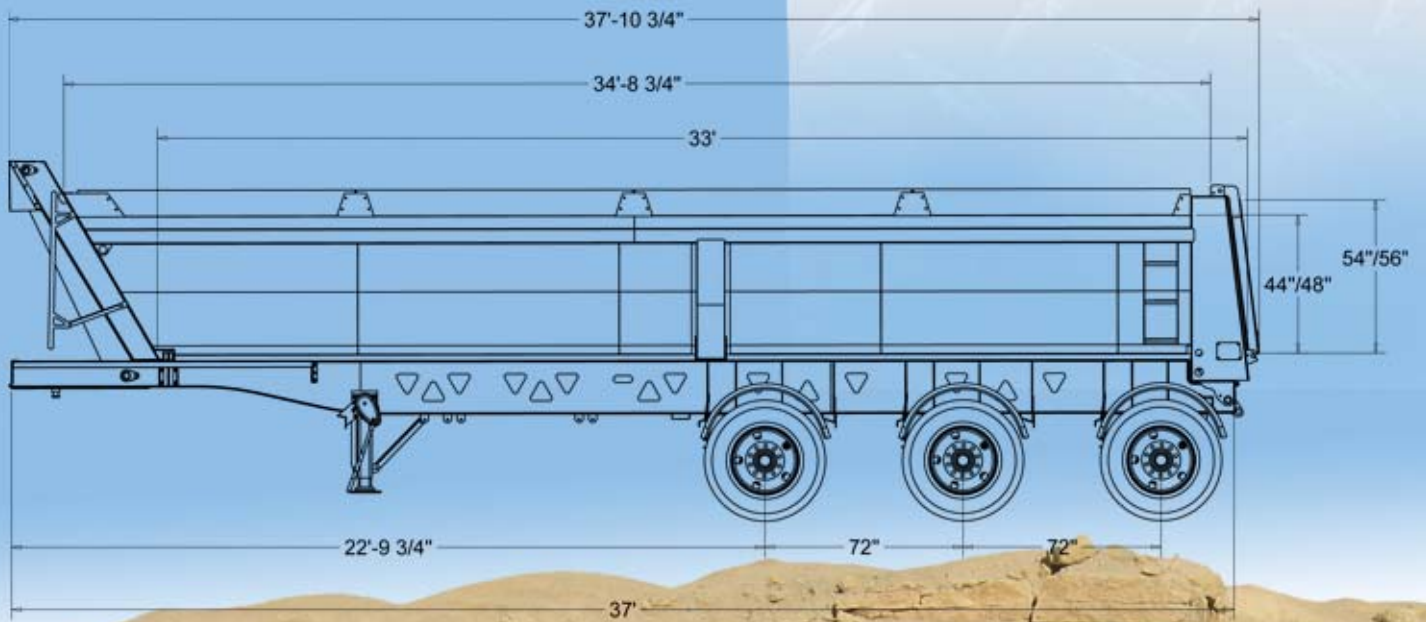




SL3000

END DUMP



MIDLAND...ALWAYS YOUR BETTER INVESTMENT

SL3000 END DUMP

BETTER PAYLOAD
INDUSTRY LEADING DESIGN
STRUCTURAL INTEGRITY

Heavy Duty Greaseless Hinge



STANDARD FEATURES

BODY

Front Height: 56"
Side Height: 44"
Gate Height: 54"
Body Material: 3/16" AR200

CHASSIS

Frame Rails: 20" depth
I Beam config. w/100,000 psi Flanges
King Pin: setting 16", 3/8" plate
Hinge: Unique heavy duty design
Greaseless Bushings

HOIST

85-4510-265 Telescopic Custom Hoist

SUSPENSION

Intraax 25K Air Ride, 17" ride

AXLES

25,000 lbs
- Track width 77"
- Unimount Hubs

BRAKES

ABS 2S1M - one axle system
Auto Slacks

LIGHTING

Trucklite Sealed Wiring Harness, common internal ground

FENDERS

Flat Aluminum Front Fenders
Poly 1/2 Round Rear Fenders

PAINT

Endura (high performance industrial coating)
Accent Striping, double 1" tape

TIRES

GGOA 11:22.5 (or as requested)

WHEELS

Standard White Steel, Unimount

LADDER

Driver side, rear

OPTIONS

48" Side height, 56" Gate
Aluminum Fenders
ABS 4S2M/6S3M
Sealed Gate w/2 Tailgate Tighteners
Spare Tire Carrier
Two Speed Landing Gear
Pressure Relief Valve
Boards/Extensions
Flap Packages
Asphalt Lip
Various Tires/Wheels
Tarp Systems
100% Conspicuity Tape
95-4500-265 Custom Hoist
High Lift Gate (air operated)

BODY OPTIONS

1/8" Hardox 450
3/16" Hardox 450
1/4" Hardox 450

Easy Access Ladder



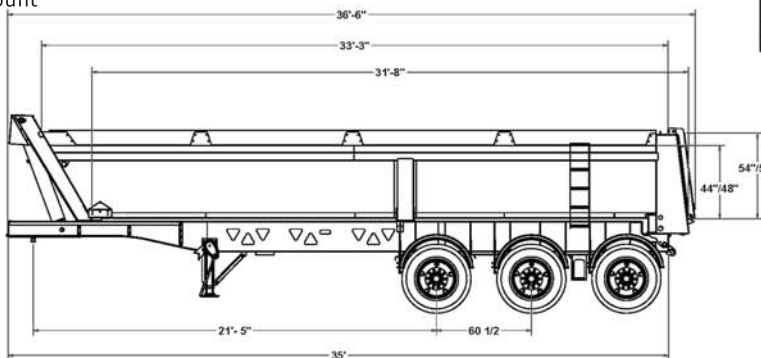
Aluminum Fender Option



Sealed Gate Option



Dual Action Gate Latch System
(service free and self adjusting)



Rear Gate with High Visibility Lighting



We also manufacture
SIDE DUMPS / BOTTOM DUMPS
PUP TRAILERS / WAGONS

The information, illustrations and specifications provided in this brochure are based on our latest product information at time of publication. To ensure continuous product improvements, Midland Manufacturing reserves the right to make changes at any time to products described and/or illustrated herein without notice or liability.

Sold by:

Box 249 - 36 Main Street (PR 205)
Rosenort, Manitoba Canada
ROG 1W0

Phone 204.746.2348
Fax 204.746.2286



www.midlandtrailers.com